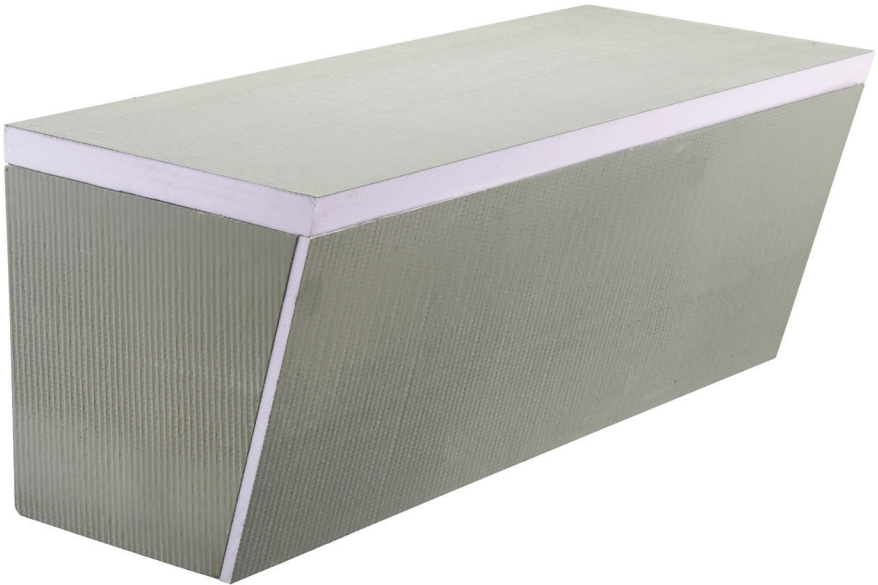


JACKBOARD®

Steam and Wet Room Seating Kits

Assembly instructions for Square Edge Kits

1200mm long, suitable for large format tiles.



Assembly and installation instructions

Assembly Instructions for Square Edge Kits

Jackoboard Steam and Wet Room Seating Kits are the simple, waterproof, cost effective and flexible way to create stylish tiled seating in steam rooms and wet rooms.

The kits can be easily trimmed to suit the dimensions of your job by making simple straight cuts using hand tools to the individual components before assembly.

You can assemble the unit either on a work bench or in situ.

First of all, make sure you have all the items in the kit and familiarise yourself with them:

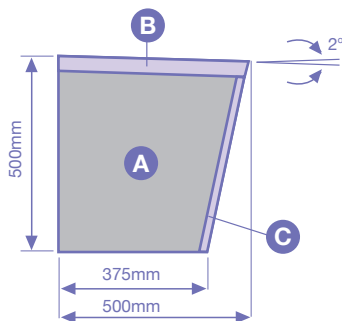
Kit Contents

A	Support Profile 50mm	4
B	Seat Top 50mm	1
C	Seat Front 20mm	1
4506342	Board Fix Adhesive	2
100mm Screws & Washers		20

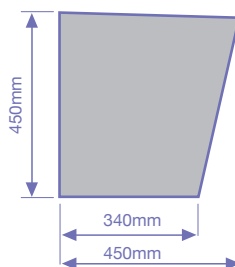
Tools you will need

- Hand or Jig saw
- Phillips screwdriver
- Tape measure or ruler
- Straight Edge
- Spirit Level
- Set Square

Parts



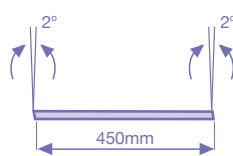
Part A



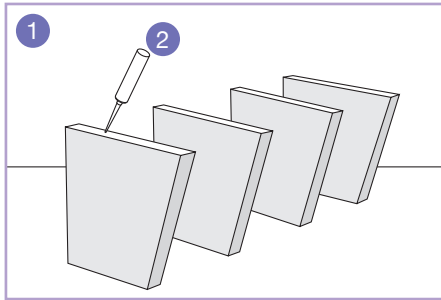
Part B 50mm



Part C 20mm

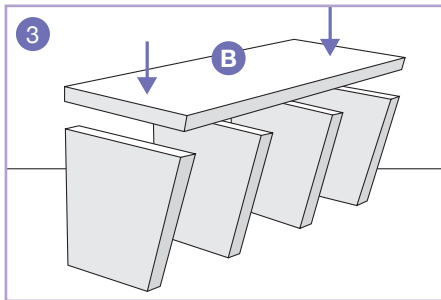


Installation

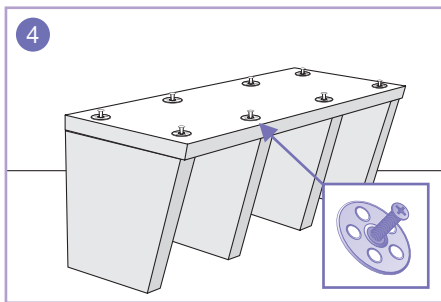


1. Take the four Support Profiles (**Parts A**) and place them upright on your bench.

2. Lay a generous bead of Board Fix Adhesive along the top edges of each profile.

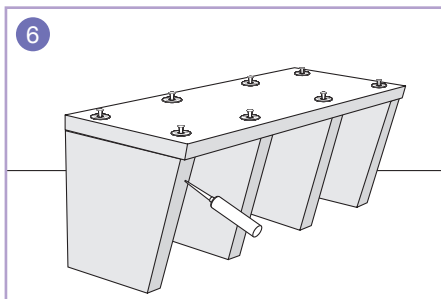


3. Now take the Seat Top (**Part B**) and press it firmly onto the Support Profiles making sure the sloping edge is to the front and that it overlaps the Support Profile at the front.



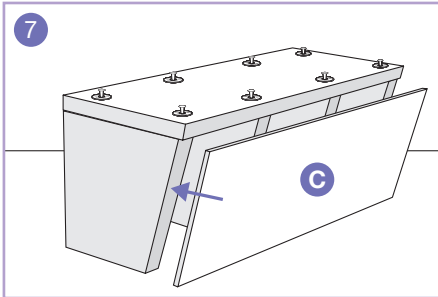
4. Screw and washer fix through the Seat Top into each Profile at the rate of two fixings per Profile. Check the construction for square.

5. Allow the adhesive to cure for a few minutes.

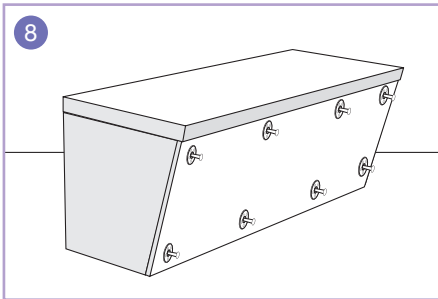


6. Apply a generous bead of Board Fix Adhesive to the front edges of each Support Profile.

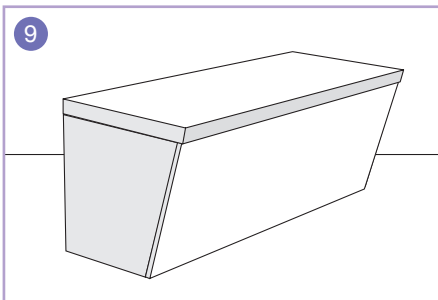
Installation



7. Take the Seat Front (**Part C**) and press it firmly over the adhesive beads on the Support Profiles.



8. Now screw and washer fix through the seat front into each profile at the rate of two fixings per profile.



9. When the construction is fully cured (*overnight*) you can fit it into your steam room or wet room using the Board Fix Adhesive. Obviously, trial a dry fit before applying any adhesive. We then advise that you seal all the joints between the unit and the room with the Jackoboard Sealing Kit.
10. The screw and washer fixings may be removed before tiling if desired.

Jackobord Seating Kits are also available in Curved Edge and Curved Edge with Backrest styles. Please note that these are only suitable for tiling with mosaic tiles.

TileBacker

t.01204 221089 e.sales@tile-backer.co.uk

www.tile-backer.co.uk